



# MULTIPURPOSE HOLLOW METAL PRESSED FIRE & STEEL DOORS

Safety and Security Protection For Every Space.

RESIDENTIAL | COMMERCIAL | INDUSTRIAL

**instor**  
KIDER INDIA PVT. LTD.

**Instor** is a leading manufacturer of steel and fire doors. We cater to various segments from high-rise buildings, shopping malls, industrial plants, multiplexes, hotels, auditoriums, software parks, restaurants, etc.

We use cutting-edge technology to design, build, and manufacture doors. Our range of Metal doors and frames are designed to perform in the most demanding environment and meet all regulatory requirements.



**ISO 9001:2015 Certified**  
Manufacturing Facility  
in Pune



**500+**  
Strong Workforce to Meet  
High Demands



**Advanced Machinery &**  
Highly Sophisticated  
Production



**Pan-India Presence**  
Offices and Service Network  
Across India



**Certified as Per IPIRTI**  
BS 476 (part 20 and 22),  
IS 3614 (part 2) Standards

# TRUSTED BY LEADING BUILDERS AND COMMERCIAL SPACES



# OUR STEEL AND FIRE DOOR PRODUCTS

---

We build flexibility and safety  
into our doors.

**instor**  
KIDER INDIA PVT. LTD.

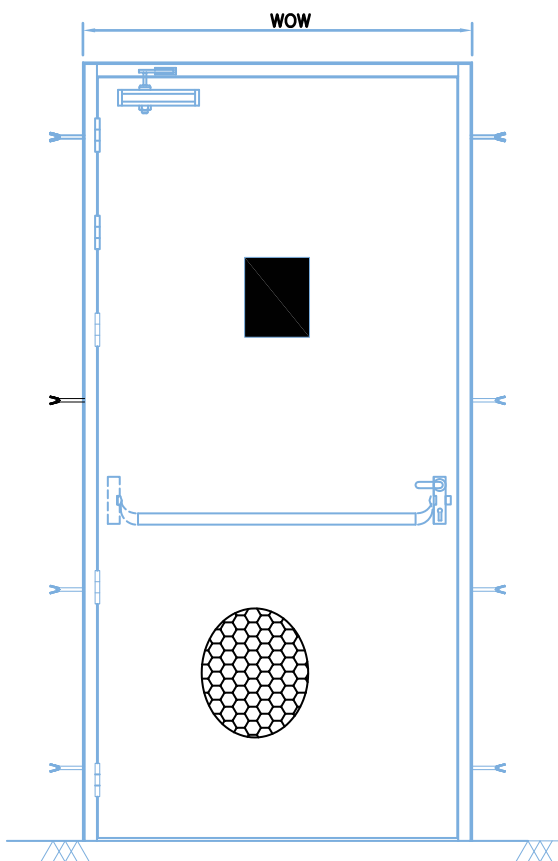
# STEEL DOORS FOR FIRE AND GENERAL APPLICATIONS

Our steel doors are designed to meet life-safety requirements in various types of buildings and structures. We put our products through a series of tests to ensure safety, durability and longevity. Certified by independent labs, our steel doors meet the highest quality standards.



## Design Highlights

- High aesthetics and robust structure
- Various configurations in custom sizes
- Factory prepped for all types of hardware
- High durability and anti-corrosive
- Available in various colours & finishes



## TECHNICAL SPECIFICATIONS

### Material

Galvanized iron (GI)

### Sheet Thickness

SH-0.8 mm & FR-1.2 mm  
SH-1.2 mm & FR-1.6 mm

### Frame Size

Frame profile single rebate  
100x57 mm and double rebate  
143x57 mm

### Infill

Honeycomb paper

### Vision Panel

STANDARD

- 1) 200 X 300 mm
- 2) 300 X 300 mm

## COLORS AVAILABLE



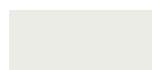
RAL 3020



RAL 9001



RAL 9010



RAL 9016



RAL 7035



RAL 9007



RAL 9006

## SIZES AVAILABLE

### Width

Single door  
600 mm to 1190 mm

Double door  
1200 mm to 2300 mm

### Height

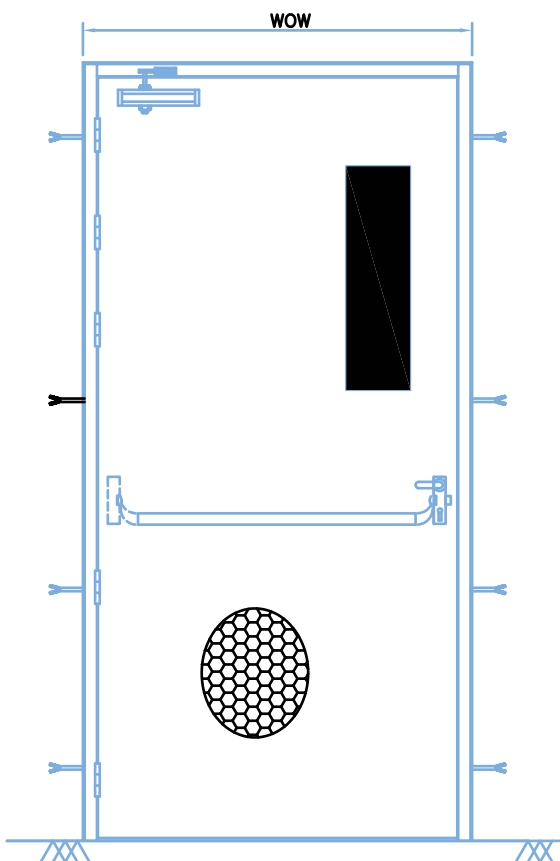
1500 mm to  
2500 mm

# FIRE RATED DOORS

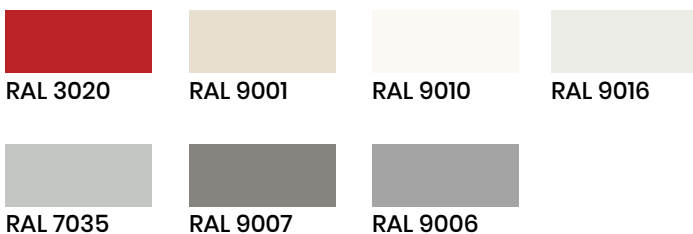
Because of new fire-safety regulations and an increased concern for safety, fire doors have become an essential part of any building. Our fire doors serve as both regular doors and emergency exits, providing a safe path during fire events and also protect life by containing the smoke. Designed to meet the life-safety requirements in various types of buildings, our fire doors not only help contain the spread of fire but also complement existing passive fire-fighting systems.

## Design Highlights

- Made from high quality GI steel
- Powder coated with wide range of RAL colors
- Fire exposure for 120 minutes
- Configured for various hardware types



## COLORS AVAILABLE



## TECHNICAL SPECIFICATIONS

### Material

Galvanized iron (GI)

### Sheet Thickness

SH-0.8 mm & FR-1.2 mm  
SH-1.2 mm & FR-1.6 mm

### Frame Size

Frame profile single rebate  
100x57 mm and double rebate  
143x57 mm

### Infill

Honeycomb paper

### Vision Panel

STANDARD

- 1) 200 X 300 mm
- 2) 300 X 300 mm

## SIZES AVAILABLE

### Width

Single door  
600 mm to 1190 mm

Double door  
1200 mm to 2300 mm

### Height

1500 mm to  
2500 mm

# MULTIPURPOSE DOORS

Our multipurpose steel doors are manufactured to the highest standards. They are extremely sturdy, durable and will last for years. Widely installed in commercial and industrial buildings.



## Design Highlights

- Multipurpose Doors
- Made from high-quality GI steel
- Powder-coated with wide range of RAL colours
- Widely accepted in commercial and industrial settings
- Configured for various hardware types

## TECHNICAL SPECIFICATIONS

### Material

Galvanized iron (GI)

### Sheet Thickness

SH-0.8 mm & FR-1.2 mm  
SH-1.2 mm & FR-1.6 mm

### Frame Size

Frame profile single rebate  
100x57 mm and double rebate  
143x57 mm

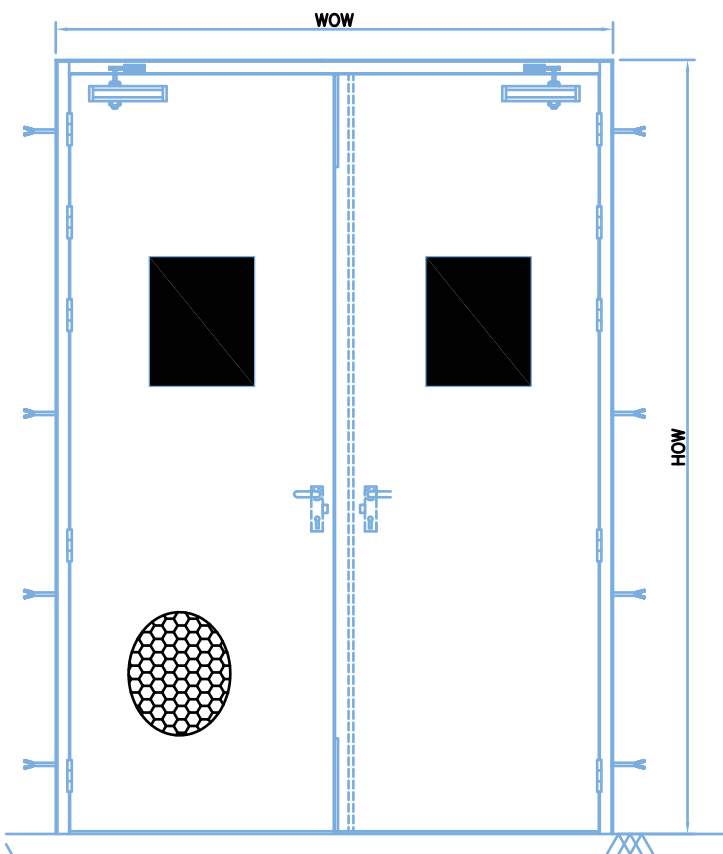
### Infill

Honeycomb paper

### Vision Panel

STANDARD

- 1) 200 X 300 mm
- 2) 300 X 300 mm



## COLORS AVAILABLE



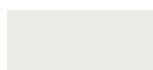
RAL 3020



RAL 9001



RAL 9010



RAL 9016



RAL 7035



RAL 9007



RAL 9006

## SIZES AVAILABLE

### Width

Single door  
600 mm to 1190 mm

Double door  
1200 mm to 2300 mm

### Height

1500 mm to  
2500 mm

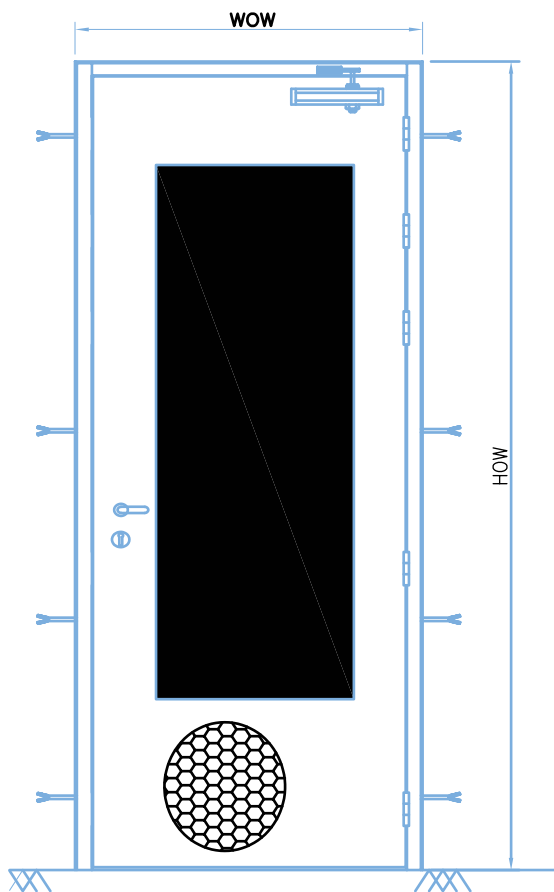
# GLAZED STEEL DOORS

Doors with glazing are ideal for use at the entrances of prestigious office buildings and retail establishments. We can provide various types of glass and glazing options depending on the level of protection needed such as safety, fire protection, or security.



## Design Highlights

- Available in fire-rated and general type
- Aesthetic and Slim profile
- Suitable for entry areas, lobbies, cabins
- Available in wide range of glass thickness



## TECHNICAL SPECIFICATIONS

### Material

Galvanized iron (GI)

### Sheet Thickness

SH-0.8 mm & FR-1.2 mm  
SH-1.2 mm & FR-1.6 mm

### Frame Size

Frame profile single rebate  
100x57 mm and double rebate  
143x57 mm

### Infill

Honeycomb paper

### Vision Panel

STANDARD

- 1) 200 X 300 mm
- 2) 300 X 300 mm

## COLORS AVAILABLE



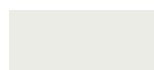
RAL 3020



RAL 9001



RAL 9010



RAL 9016



RAL 7035



RAL 9007



RAL 9006

## SIZES AVAILABLE

### Width

Single door  
600 mm to 1190 mm

Double door  
1200 mm to 2300 mm

### Height

1500 mm to  
2500 mm

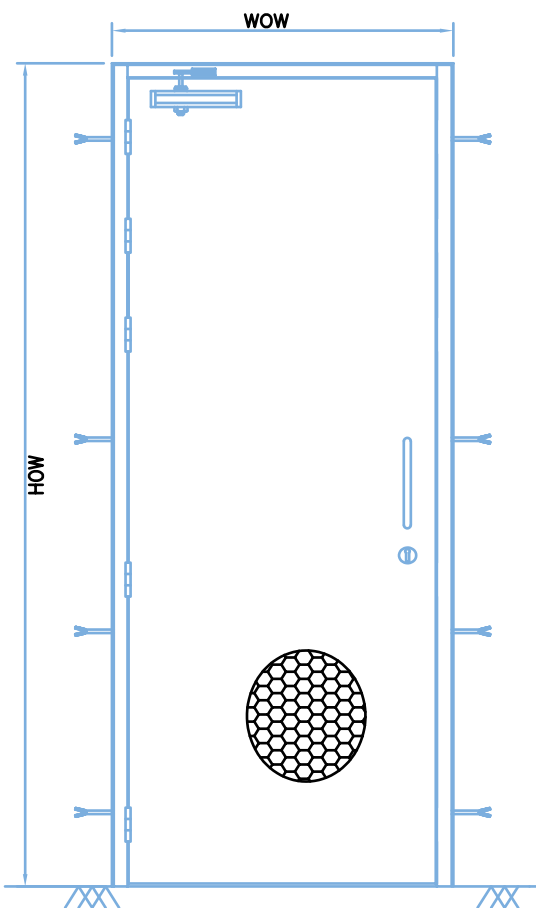


# SHAFT DOORS

Our hollow metal doors give the look of wood but are very strong and durable. These doors are available in fire & non-fire rated applications.

## Design Highlights

- Made from high-quality GI steel
- Powder-coated with a wide range of RAL colours
- Designer doors collection is renewed every year
- Configured for various hardware types



## TECHNICAL SPECIFICATIONS

### Material

Galvanized iron (GI)

### Sheet Thickness

SH-0.8 mm & FR-1.2 mm  
SH-1.2 mm & FR-1.6 mm

### Frame Size

Frame profile single rebate  
100x57 mm and double rebate  
143x57 mm

### Infill

Honeycomb paper

### Vision Panel

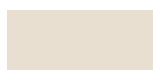
STANDARD

- 1) 200 X 300 mm
- 2) 300 X 300 mm

## COLORS AVAILABLE



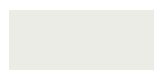
RAL 3020



RAL 9001



RAL 9010



RAL 9016



RAL 7035



RAL 9007



RAL 9006

## SIZES AVAILABLE

### Width

Single door  
600 mm to 1190 mm

Double door  
1200 mm to 2300 mm

### Height

1500 mm to  
2500 mm

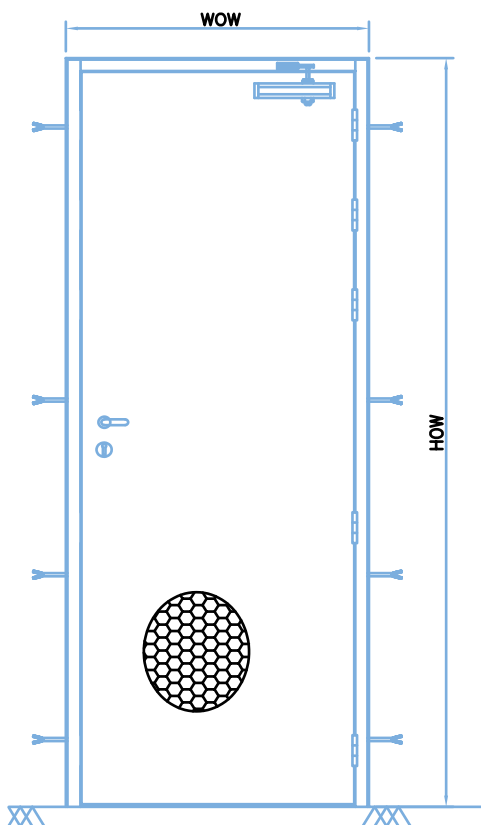
# INTERNATIONAL BRAND OF FRONT DOORS

Our front doors are a rare combination of advanced technology and unique designs. Each door is made to order and customized to the customer. The designer doors collection is renewed every year with esteemed designers in the field working on it. Our production process meets all the national and international standards, including the ISO 9002 standard. This allows us to deliver high finish and highest quality products.



## Design Highlights

- Wide range of innovative doors
- High quality and safe products
- Made of raw materials like wood, steel & brass.
- Each door is made and customized to the customer's needs



## TECHNICAL SPECIFICATIONS

### Material

Galvanized iron (GI)

### Sheet Thickness

SH-0.8 mm & FR-1.2 mm  
SH-1.2 mm & FR-1.6 mm

### Frame Size

Frame profile single rebate  
100x57 mm and double rebate  
143x57 mm

### Infill

Honeycomb paper

### Vision Panel

STANDARD

- 1) 200 X 300 mm
- 2) 300 X 300 mm

## COLORS AVAILABLE



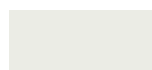
RAL 3020



RAL 9001



RAL 9010



RAL 9016



RAL 7035



RAL 9007



RAL 9006

## SIZES AVAILABLE

### Width

Single door  
600 mm to 1190 mm

Double door  
1200 mm to 2300 mm

### Height

1500 mm to  
2500 mm

# DOOR HARDWARE BY DORMA

Security, function, & visual appeal  
to fit a variety of applications.



**70mm EPC DORMA**



**271 a Sash Lock**



**Ball Bearing Hinge**



**dorma pure 8100 mortise  
handle 2c 281a sash lock  
500x500**



**Drop Seal for Door**



**PHA-2000-Single Point  
Panic Bar**



**PLUS-8100- Tublar  
Lever Handle**



**PLUS-8906-Lever  
Handle**



**SVP 6000  
Electronic Lock**



**TGDID 300MM  
Pull Handle**



**TS 68 Door Closer**



**TS-83 Door Closer**

# INSTOR MULTIPURPOSE HOLLOW METAL PRESSED STEEL DOORS

Preferred by commercial and residential  
builders nationwide.

---

## **Instor by Kider India Pvt Ltd**

New Gat 584/2, Koregaon Bhima,  
Taluka Shirur, Pune - 412216  
[www.instorindia.com](http://www.instorindia.com)

+91-8956985082 / +91-7888029320  
[sroy@instorindia.com](mailto:sroy@instorindia.com)

**instor**  
KIDER INDIA PVT. LTD.